

1127, 1128, 1129, 1130, 1131, 1132 Series Large Figure Totalizer

Very large figures (3/4") make these counters unmatched in character/figure size and easy to read at a distance. Simple, rugged, reliable base mount totalizers that even today embody the original time-tested design.

1127 Series - Direct Drive

Adds 10 counts for each drive shaft revolution in specified rotation. Subtracts for opposite rotation if reset knob is unobstructed.

1128 Series - Revolution Drive

Adds 1 count for each drive shaft revolution in specified rotation. Subtracts for opposite rotation if reset knob is unobstructed.

1129 Series - Ratchet Drive

Adds 1 count for each drive shaft revolution through 36 to 47 degrees arc. Max travel limited. Internal lever return spring.

1130 Series - Direct Drive, Non-Reset

Available as nonstock

1131 Series - Revolution Drive, Non-Reset

Available as nonstock

1132 Series - Ratchet Drive, Non-Reset

Available as nonstock



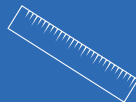
- Well defined 3/4 inch (19.0 mm) numbers
- Five decades – counts to 99,999
- Steel case and chrome on steel shaft
- Lubrication never required
- Base mounting configuration
- Easy installation
- Low maintenance



TIME



COUNT



MEASURE

8:43

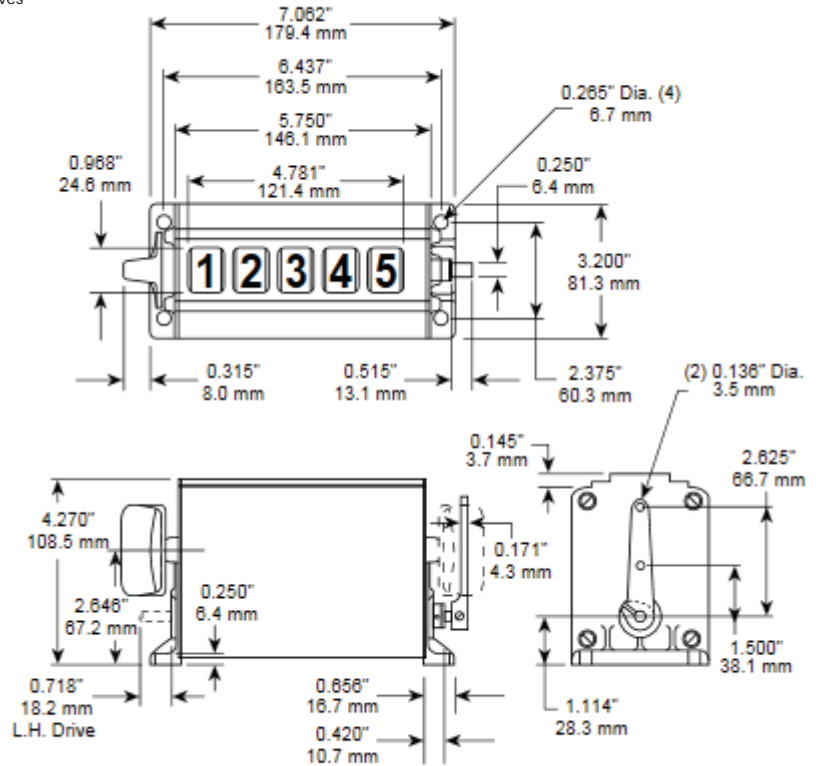
DISPLAY



SPECIFICATIONS

SPEED	Reset: Direct (1127 Series) and Revolution (1128 Series) drives 1000 cpm continuous, 1500 cpm intermittent. Ratchet (1129) drive 250 cpm continuous and intermittent. Nonreset: Direct (1130 Series) and Revolution (1131 Series) drives 1500 cpm continuous, 2000 cpm intermittent. Ratchet (1132 Series) drive 250 cpm continuous and intermittent.
TORQUE	Direct: 2.5 oz-in. Revolution: 1.5 oz-in.
NUMBER OF FIGURES	5 (standard). Special Options Available.
SIZE OF FIGURES	0.750" high by 0.605" wide
COLOR OF FIGURES	White on black (standard) Special variations available.
CHARACTER CONFIGURATION	0 to 9. Decimal point, stationary zero, cursor line, graduations, special variations available
RESET	Manual reset knob
LUBRICATION	Not required
MOUNTING	Base
CONSTRUCTION	End caps: Glass-filled nylon Case: Steel Shafts: Chrome plated steel Pinions: Nylon Wheels: Aluminum and steel
WEIGHT	4 lbs. (1.8 kg)

DIMENSIONS



ORDERING INFORMATION

Standard Models

0112715-001	Direct Drive, Clockwise rotation, Left Shaft
0112735-001	Direct Drive, Counterclockwise rotation, Right shaft
0112745-001	Direct Drive, Clockwise rotation, Right shaft
0112815-001	Revolution Drive, Clockwise rotation, Left Shaft
0112825-001	Revolution Drive, Counterclockwise rotation, Left shaft
0112835-001	Revolution Drive, Counterclockwise rotation, Right shaft
0112845-001	Revolution Drive, Clockwise rotation, Right shaft
0112915-001	Ratchet Drive, Clockwise rotation, Left Shaft
0112925-001	Ratchet Drive, Counterclockwise rotation, Left shaft
0112935-005	Ratchet Drive, Counterclockwise rotation, Right shaft
0112945-001	Ratchet Drive, Clockwise rotation, Right shaft

For 1130, 1131 & 1132 Series, please consult factory.

Rotation Diagram

*As denoted by 6th number in item number

